

Refrasolid



# Safety stands for: **RefraSolid.**



Over the years and with the emphasis on the cement industry, RefraSolid has been shown to be a market leader in the sector of overhead protection in such as roof applications and safety. With its innovative safety systems this company complements the M-Group perfectly and logically offers this know-how to further sectors.

With its own company primarily specialising in safety technology, once again, the M-Group verifies its pioneer spirit and visionary leadership. This master plan offers all customers a unique spectrum of products and services with a clear focus on safety.

M-Group forms a worldwide organised group of companies that offer a wide range of performances for refractories technology, across all industrial sectors from Aluminium to Zinc. In the sector of lime kiln technology the range of performances covers repair, modernisation as well as new constructions.



## Uncompromising safety.

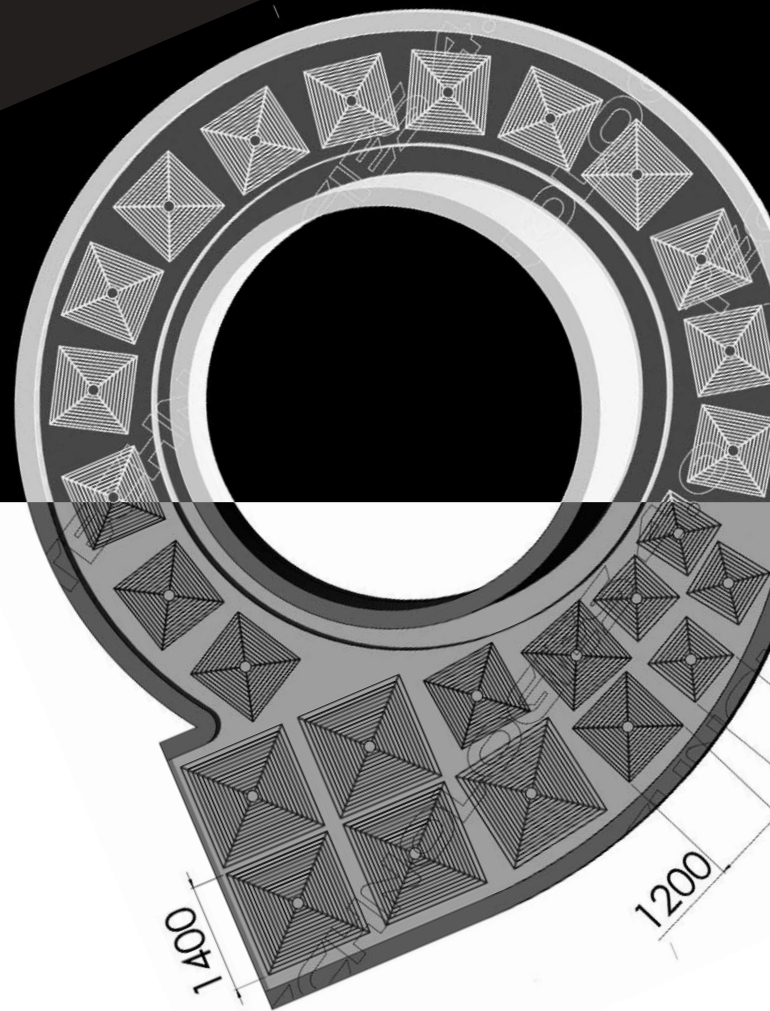
Industrial furnace operators are regularly being confronted with necessary maintenance tasks of their manufacturing and refractory plants and these can be very complicated and high-risk. Every revision is a challenge: i. e. short shut down periods and high-quality and solid repair works in compliance with optimum safety - these are the challenges of every project. You cannot do this without professionals. Isn't it obvious to entrust these task to specialists, who can offer all this from one source?

With our refractory experience for decades and following our principals: quality, in due time execution and technical know-how, you can feel safe with us being your perfect partner. Short shutdown. Highest quality. Utmost safety. Simply: **RefraSolid**. Individual safety solutions that always fit!

# Safety. Definitely the right solution.



RS SafetyWeb



## RS SafetyWeb.

The RS SafetyWeb currently is the most innovative solution to make refractory ceilings safe - easily and quickly. The risk of fatal danger through falling material will be minimised.

RS SafetyWeb plus factors:

- Different dimensions can be combined individually and fit in accurately at different places of installation (cyclone ceiling, kiln hood etc.)
- Simple installation with clear assembly instructions
- Short installation time, only a few minutes needed
- Short installation time and high flexibility while installing the guiding pipe: feasible with existing kilns as well as while planning new kilns
- Less maintenance due to adequate concepts

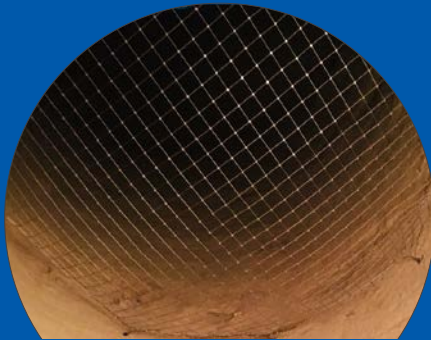
Find out more!





# Safety has no Time-out.

RS ImpactNet



## RS PowerNet.

The RS PowerNet is our second system for ceiling protection. It perfectly fits to all sectors where fall from heights together with its kinetic energy has to be considered.

RS PowerNet plus factors:

- Recommended for: calciner, gas pipe and kiln hood
- Precise calculations based on worst-case-scenario mean highest quality
- Specifically engineered brake systems make the concept perfect



RS CatchNet



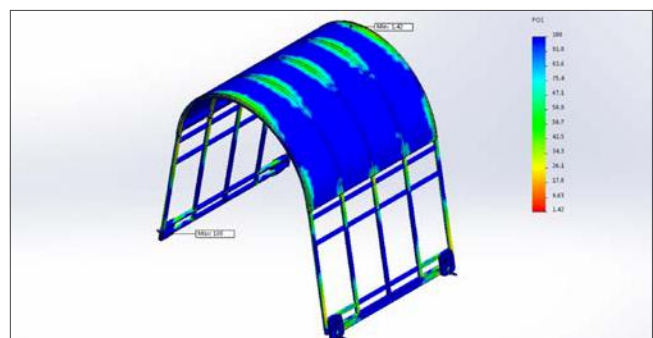
Find out more!

## RS ProtectorTwo.

The RS ProtectorTwo is an easily moveable safety scaffold made of aluminium in lightweight construction. It is possible to inspect the rotary kiln with up to three persons, simultaneously. There is no need to remove the complete coating, beforehand.

Further RS ProtectorTwo plus factors:

- Inspecting and evaluating refractory damages
- Small repairs may directly be realised
- Eliminate „false alarm“

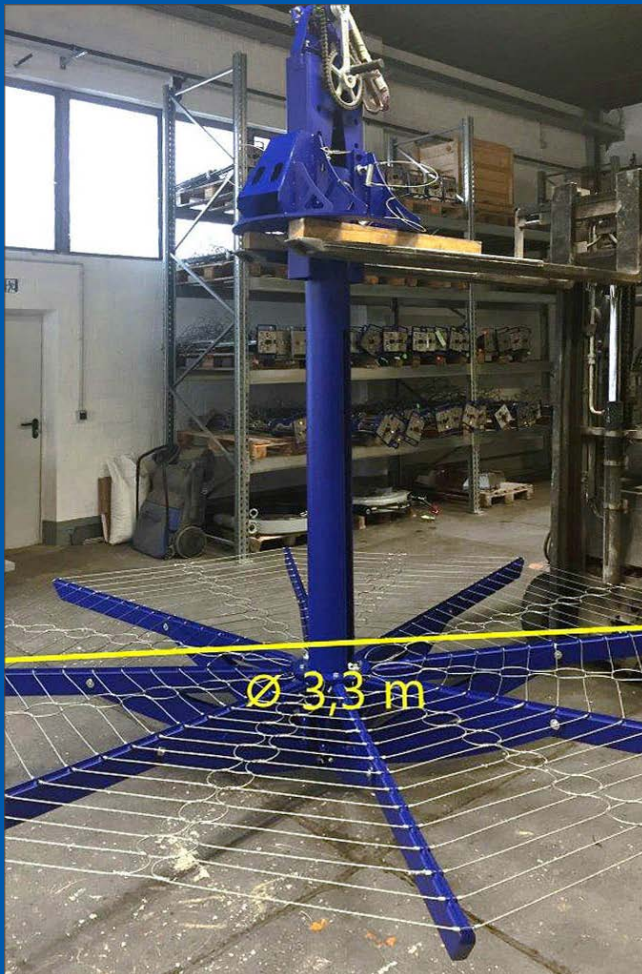


RS ProtectorTwo



Find out more!

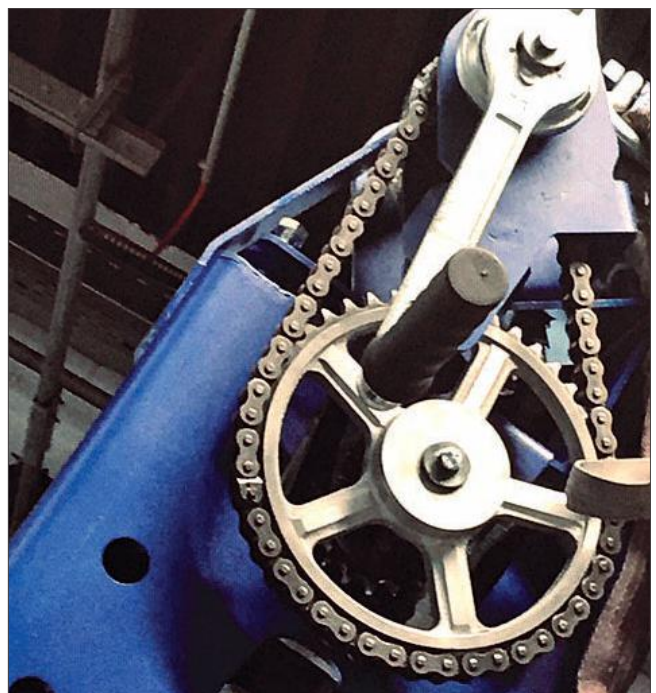
# Special solutions.



## RS SafetyWeb „Octopus“.

The oversized ceiling security system RS SafetyWeb “Octopus” can cover a calcinatory of 3,5 m diameter with only one screen/canopy.

The XXL version of the RS Safety Web series offers fast, easy handling and maximum security with its 8 arms and mechanical chain operation. The “Octopus” keeps all debris under the ceiling and your staff’s lives safe. Our engineers are happy to develop the perfect safety solution for your kilns dimensions.



**Your perfect partner.**  
For sure.



Refractory Technologies  
Lime Kiln Technologies  
Safety Technologies  
Innovative Solutions  
Academy



All RS Safety Products are CE certified.





## Your safety experts:



**Oliver Dreweskracht**  
Sales Director

Tel.: +49 5261 2507 - 851  
Fax: +49 5261 2507 - 23  
Mobile: +49 173 3 89 72 09  
Oliver.Dreweskracht@M-Group.team  
[www.the-M-Group.com](http://www.the-M-Group.com)



**Johannes Meilenbrock**  
Sales Director

Tel.: +49 5261 2507 - 854  
Fax: +49 5261 2507 - 23  
Mobile: +49 175 1 06 60 55  
Johannes.Meilenbrock@M-Group.team  
[www.the-M-Group.com](http://www.the-M-Group.com)



**Stefan Sasse**  
CEO

Tel.: +49 5261 2507 - 41  
Fax: +49 5261 2507 - 6641  
Mobile: +49 172 2 77 00 47  
Stefan.Sasse@M-Group.team  
[www.the-M-Group.com](http://www.the-M-Group.com)



Member of the  
**MGROUP**

**RefraSolid GmbH** | Am Bauhof 17 - 21 | 32657 Lemgo | GERMANY

Tel.: +49 5261 2507 - 850 | Fax: +49 5261 2507 - 23 | [RefraSolid@the-M-Group.com](mailto:RefraSolid@the-M-Group.com) | [www.the-M-Group.com](http://www.the-M-Group.com)

